



### FEATURES

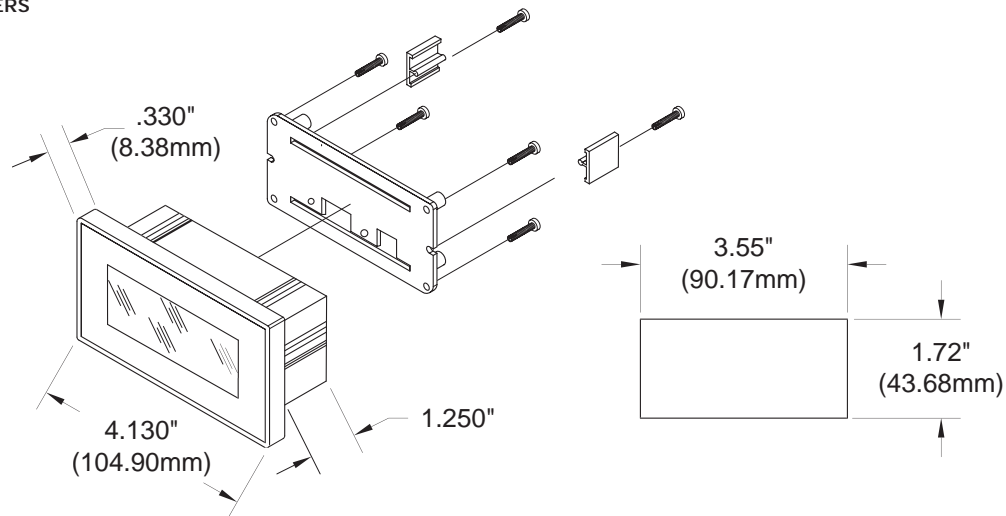
- 3½-Digit full-size LCD 0.6" high
- Small size: 2.3" x 4.13" x 1.25"
- Fits 1/8 DIN cutouts
- Only 1.25" required behind the panel
- Programmable decimal point
- Powered by the current being measured (less than 3.2 volt drop with 20mA input current)
- Connectors Included
- Non-interactive potentiometer setup for scale (gain) and offset.
- Two (2) wires for total hook-up
- Easily scaled to desired display using potentiometers
- NEMA 4X
- Made in USA

### DESCRIPTION

Westcon's Model W2040 is a low-cost, short depth digital panel meter with LCD readout. The meter is powered by the current being measured and has selectable full scale input ranges of 20mA and 50mA. User adjustable scale (gain), offset and decimal point allow immediate calibration of measurement being displayed.

The new W2040 brings unprecedented reliability and accuracy to the low cost Digital Panel Meter market.

The W2040 —  
The right meter at the right price.

**DIMENSIONS**INCHES  
MILLIMETERS**SPECIFICATIONS****Inputs**

Current loop measurement of  
4-20mA and 10-50mA

**Display Range**

.000 to  $\pm 1.999$   
0.00 to  $\pm 19.99$   
00.0 to  $\pm 199.9$   
000 to  $\pm 1999$

**Accuracy**

$\pm 0.1\%$  rdg.  $\pm 1$  digit

**Power Requirements**

Loop powered; voltage drop less  
than 3.2V with a 20mA input

**Tempco**

100ppm/ $^{\circ}$ C typical

**Response Time**

Under 1 sec., typically

**Weight** Approx. 2 oz.**Size** 2.3"H  $\times$  4.13"W  $\times$  1.25"D

Panel Cutout: 3.55"W  $\times$  1.72"H

**Display**

0.6"H LCD

**Decimal Points**

1.XXX  
1X.XX set by internal  
1XX.X jumper  
1XXX

**Polarity**

Negative count—minus sign at left.  
Positive count—plus sign at left.

**Operating Temperature**

0 $^{\circ}$  to 50 $^{\circ}$  C

**Recalibration Schedule**

1 year within rated accuracy

**Humidity**

80% RH @ 40 $^{\circ}$  C max.;  
70% RH @ 60 $^{\circ}$  C max.

**Storage Temperature**

-20 $^{\circ}$ C to 70 $^{\circ}$ C, 72 hours,

**Front Panel**

NEMA 4X