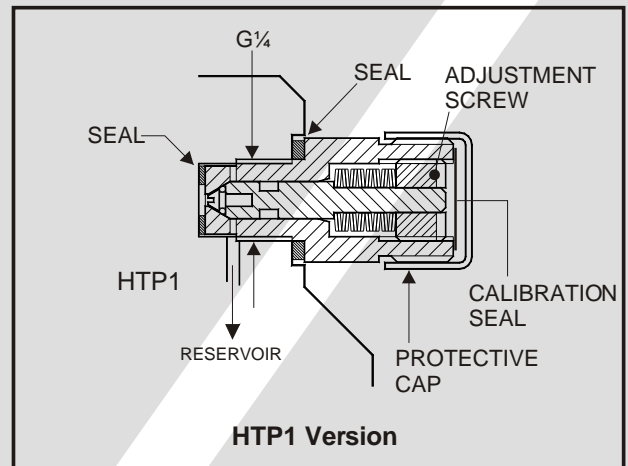
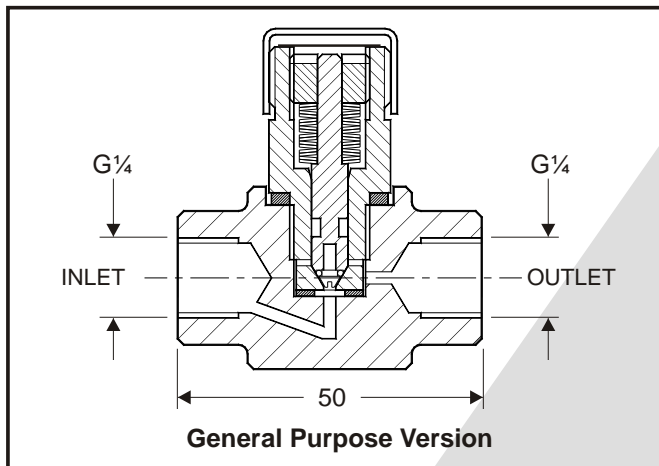


Adjustable Pressure Relief Valves PRV12



DESCRIPTION

General Purpose Version

The 'PRV12' range of relief valves provides a **compact** solution to the protection of **sensitive** instruments from the danger of **overpressure** under **low flow** conditions.

The stainless steel body houses a piston which is retained by a series of disc springs, the number and configuration of which control the 'cracking' pressure required. (see table below)

The **instrument** to be protected is connected via a 'tee piece' to the **inlet** port which is sealed externally using a bonded seal or similar. When the pressure exceeds the force exerted by the springs, the piston lifts off its conical seating and allows fluid to pass through the **outlet** port and back to the reservoir or other convenient collection point.

Pressure Adjustment: This is achieved by first removing protective cap, then using a suitable tool, turn the adjustment screw clockwise to increase and anticlockwise to decrease 'cracking' pressure.

HTP1 Version (For use with HTP1 Hydraulic Pressure Test System)

This special version is for use **only** with the HTP1 Hydraulic Pressure Test System. The valve is simply screwed into the rear 1/4" BSP blanked off port which is reserved for the purpose.

The valve can be supplied pre-set with the HTP1 or can be quickly retro-fitted to existing units using simple installation instructions.

Applications

- Pressure Calibration Systems
- Test Rigs
- General Instrument Protection

SPECIFICATION

Material: 303 Stainless Steel
Seals: Polyurethane, PTFE, Nitrile, Nylon
Fluid Media: Mineral Oil, Distilled Water

'Skydrol' version available (others by request)

Max Working Pressure: 1000 bar / 15,000 psi

Inlet Connection: See above.

Outlet Connection: See above.

Dimensions: General Purpose: 56mm x 50mm x 30mm
 HTP1 version: 40mm x 22mm DIA.

Weight: General Purpose: 240 grams
 HTP1 version: 60 grams

Accuracy/Repeatability: ± 10% Nom. Setting

ORDER CODE GENERAL PURPOSE	ORDER CODE HTP1 VERSION	'CRACKING' PRESSURE RANGE bar / psi
PRV12-1	PRV12-1-HTP1	10-50 / 145-726
PRV12-2	PRV12-2-HTP1	50-200 / 726-2900
PRV12-3	PRV12-3-HTP1	200-400 / 2900-5800
PRV12-4	PRV12-4-HTP1	300-700 / 5800-10,000
PRV12-5	PRV12-5-HTP1	600-1000 / 10,000-15,000

Replacement Seal Kit available - code:- PRVSK1

www.bcgrouptl.com

Tel: (888) 223-6763

Fax: (314) 638-3200

