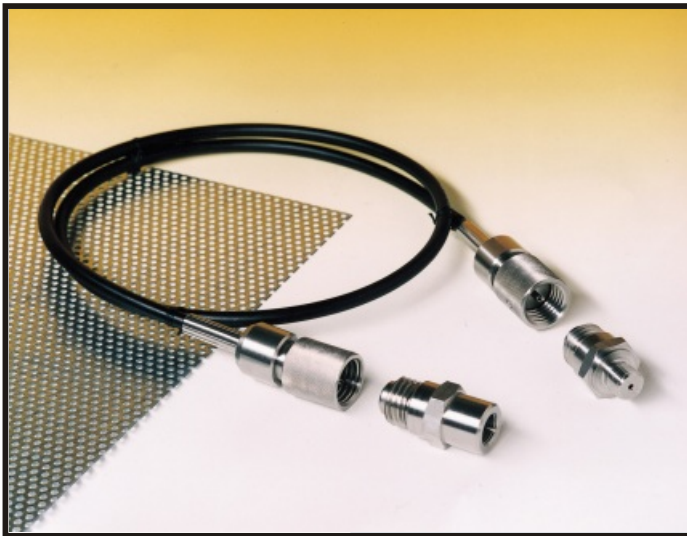


High Pressure Hose Kit

HK1-1000

1000 bar / 15000 psi working pressure, for oil or water



SI Pressure Instruments has introduced a new High Pressure Hose Kit to augment its very successful HTP1 Hydraulic Hand Pump. It offers a new standard for those involved in high pressure 'on-site' calibration.

The **HK1-1000** offers the following:-

- **Self-Sealing hose and fittings - No drips !**
- **Easy finger tight connection.**
- **Very low volumetric expansion - Negligible pressure drop.**
- **Stainless Steel / Nylon construction - Suitable for Oil and Water.**
- **Choice of seals available to suit various fluids.**

Specification

Working Pressure	1000 bar / 15000 psi
Min. Burst Pressure	2500 bar / 36200 psi
Min. Bend Radius	60mm / 2.36 inch
Working Temperature	-30°C to +80°C / -22°F to +176°F
Construction	Nylon, Stainless Steel, Brass, PTFE, Nitrile
Outer Diameter	6.9 mm / 0.27 inch
Bore	3.2 mm / 0.13 inch
Fluids	Water, Oil as standard, 'Skydrol' or brake fluid version available

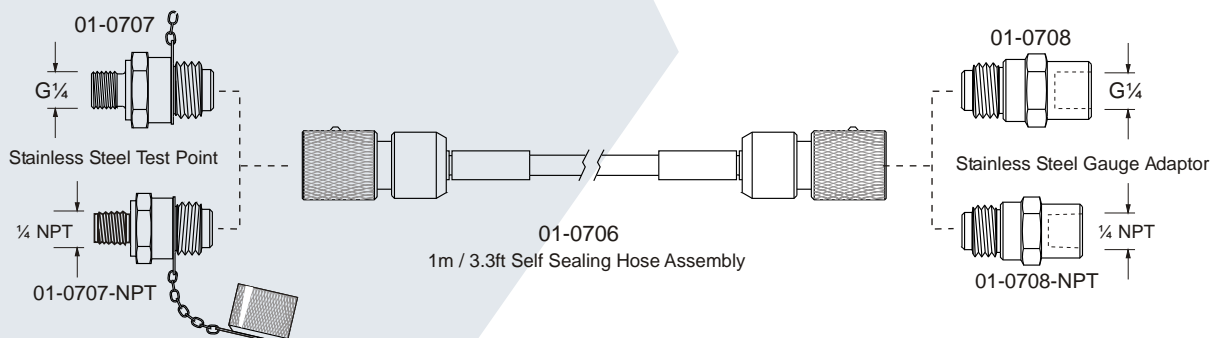
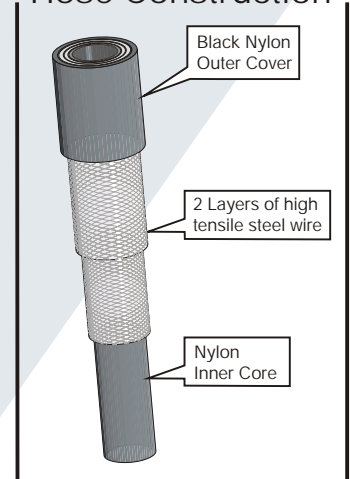
Ordering Codes

Part Number	01-0706	01-0707	01-0708	01-0707-NPT	01-0708-NPT
HK1-1000	●	●	●		
HK1-1000-USA	●	●			●
HK1-1000-USA-GP	●			●	●

HTPA-BSP	7 Piece Stainless Steel Adaptor kit including ¼ BSP M x 1/8 BSP F, 3/8 BSP F, ½ BSP F, 1/4 BSP M, 1/8 BSP M, 1/4 NPT F & 3/8 BSP M x ¼ BSP F
HTPA-NPT	6 Piece Stainless Steel Adaptor Kit including ¼ NPT M x 1/8 NPT F, 3/8 NPT F, ½ NPT F, ¼ NPT M, 1/8 NPT M, ¼ BSP F
HTP1-700	Hydraulic Pressure Pump (0 to 700 bar / 10,000psi)
HTP1-1000	Hydraulic Pressure Pump (0 to 1000 bar / 15000psi)

Note:- For 'Skydrol' or brake fluid version, add '-S' to part No.'s (e.g. HK1-1000-S). Other hose lengths available on request.

Hose Construction



www.bcgrouptnl.com

Tel: (888) 223-6763

Fax: (314) 638-3200



FM 20157



31-0380 Iss.2. DIM.5179