

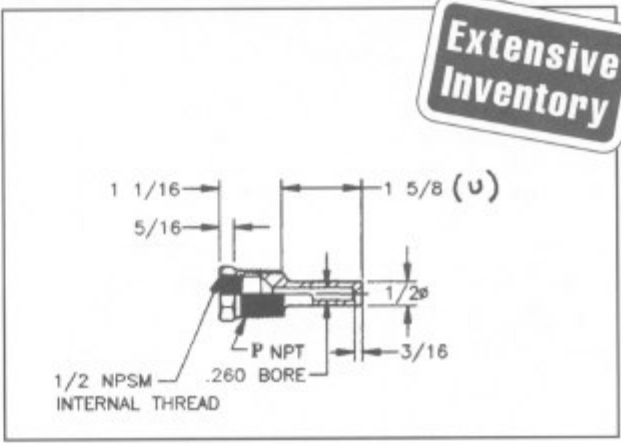
# Limited Space Well

## 6500 Series

- Standard Bore Size: .260
- Brass Plug and Chain Optional

P	3/4"	1"
---	------	----

**Extensive Inventory**



**6500**

**1.625**

Code	Material
S	Carbon Steel (C1018)
C	304 Stainless Steel
H	316 Stainless Steel
D	446 Stainless Steel
M	Monel
A	Inconel 600
Consult factory for other materials	

Code	Process Connection "P"
3/4	3/4" NPT
1	1" NPT
For special requirements contact factory	

Code	Other Pertinent Data
0	None
999	Special request consult factory

Code	Plug and Chain
0	None
1	Brass
2	Stainless Steel

Insertion Length "U"
Only available in 1 5/8" ("U")

6500-C-3/4-1.625-0-0  
Ordering Example