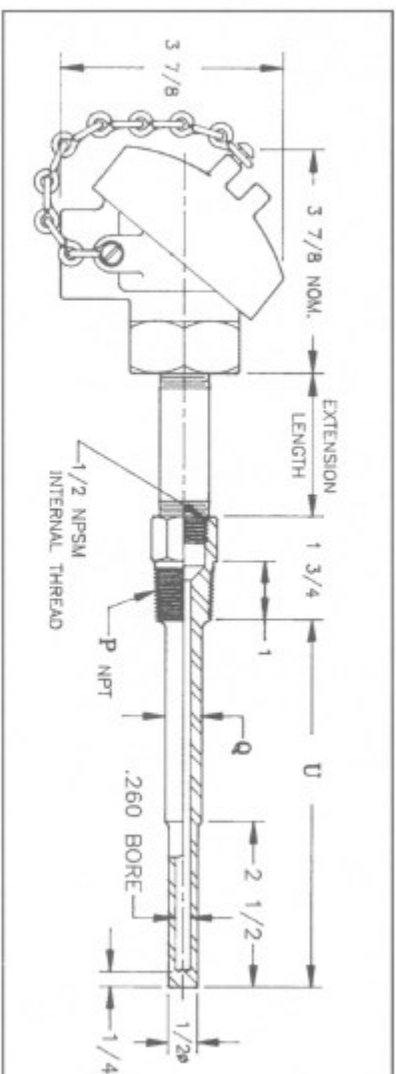
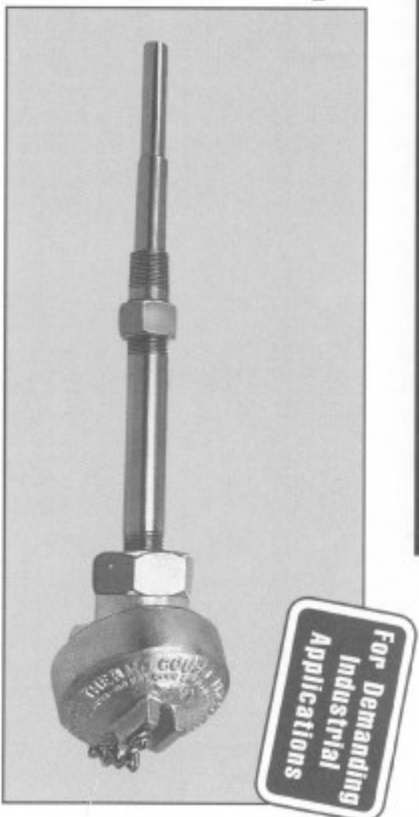


Standard Thermowell Assembly

16000 Series

- Thermowell Has Step-Down Design
- Complete Thermocouple/ Thermowell Assembly
- Supplied With A Threaded Thermowell (.260 Bore)
- Explosion Proof Head Is Standard



* For other dimensions, see 6000 Series in the Thermowell Section

16000

Code	Assembly Style
S	Simplex
D	Duplex
Code	Head Material
A	Aluminum
F	Cast Iron
Code	Extension Configuration
2	Head and nipple
4	Head and nipple/union/nipple
Code	Extension Length
2	2"
4	4"
6	6"

For other lengths consult factory.

Code	Element
3	Simplex, with ceramic insulators
6	Simplex magnesium oxide insulated cable
7	Duplex, with ceramic insulators
8	Duplex magnesium oxide insulated cable

Type 3 and 7 (*non-spring loaded*) are standard. Spring loading only available on Type 6 and 8.

Code	Wire Calibration
J	Iron/Constantan
K	Chromel/Alumel
T	Copper/Constantan
E	Chromel/Constantan
R	Plat. 13% Rhod./Plat.
S	Plat. 10% Rhod./Plat.
B	Plat. 30% Rhod./Plat. 6% Rhod.

For duplex calibrations, please indicate double letters, example EE.

16000S-A-2-6-3-J-W2-3/4-S-10.5-0
Ordering Example

Code	Other Pertinent Data
0	None
2	Spring Loaded
999	Special Request Consult Factory
Code	Thermowell Insertion Length "U"
2.5	2 1/2"
4.5	4 1/2"
7.5	7 1/2"
10.5	10 1/2"
13.5	13 1/2"
16.5	16 1/2"
22.5	22 1/2"

For other lengths consult factory.

Code	Thermowell Material
C	304 Stainless Steel
H	316 Stainless Steel
M	Monel
S	Carbon Steel

For other material consult factory.

Code	Process Connection "p"
1/2	1/2" NPT
3/4	3/4" NPT
1	1" NPT
Code	Junction Style
W2	Grounded Junction
W4	Ungrounded Junction

W2 is standard