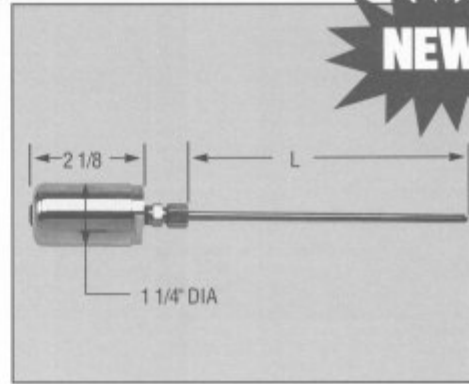


# Miniature Head Thermocouple

## 900HT Series

- For High Temperature (2100°F And Greater) Applications
- Supplied With A Lightweight Miniature Screw-Cover Head
- Waterproof Cover Available
- Commonly Installed With Compression Fittings



## 900HT

Code	Wire Calibration
R	Plat. 13% Rhod./Plat.
S	Plat. 10% Rhod./Plat.
B	Plat. 30% Rhod./Plat. 6% Rhod.
C	Tungsten 5% Rhenium/ Tungsten 26% Rhenium
D	Tungsten 3% Rhenium/ Tungsten 25% Rhenium

Consult page 57 for available wires with respect to sheath material

Code	Sheath Diameter
C	.062
D	.125
F	.250
M	.375 ( <i>Al<sub>2</sub>O<sub>3</sub> only</i> )

Consult page 57 for available diameters with respect to sheath material

Immersion Length "L"
Specify in inches 01 to 24. For lengths over 24 inches consult factory

Code	Insulation Material
AO	Aluminum Oxide ( <i>Al<sub>2</sub>O<sub>3</sub></i> )
BO	Beryllium Oxide ( <i>BeO</i> )
HO	Hafnium Oxide ( <i>HfO<sub>2</sub></i> )
MO	Magnesium Oxide ( <i>MgO</i> )

Consult page 57 for available insulations with respect to sheath material

Code	Other Pertinent Data
0	None
999	Special Request Consult Factory

Code	Termination Style
50	Dust Cover
51	Waterproof Cover

50 Dust Cover is standard

Code	Sheath Material
INC	Inconel 600
MOL	Molybdenum
TAL	Tantalum
ALO	Aluminum Oxide
PLT	Platinum 10% Rhodium

Consult page 57 for available sheath material with respect to calibration, diameter and insulation

Code	Junction Style
W2	Grounded Rounded Tip
W4	Ungrounded Rounded Tip
W5	Exposed

W4 is standard

900HT-R-D-16-MO-W4-INC-50-0  
Ordering Example