

## TEMPERATURE MONITORS IN NEMA-4X ENCLOSURES

Models 771X to 776X (°F) or 781X to 786X (°C)

These battery powered meters are designed for long-term monitoring of single or multiple thermocouples. Their high performance circuits are protected by a gasket-sealed NEMA-4X enclosure for use in high humidity or wash-down areas. These meters are an ideal upgrade for mechanical "dial" type gages where better readability or accuracy is required. Features provided on the enclosure are for permanent installation.

### FEATURES:

**Thermocouple type K,T,J or E**, linearized in four sections for good accuracy. See ordering section.

**RTD cold junction** compensates accurately for ambient temperature changes as fast as 2° per minute.

**High impedance circuit** allows use of probes with up to 1000 ft. of 24 ga. wire. Several monitors can connect to the same probe.

**Long-life** touch pad for turning display ON/OFF.

**Moisture-proof enclosure** is made of heavy wall polycarbonate with gasket sealed front cover.

**Displayed indication "LO BAT"** for low battery and a plain "1" for open thermocouple.

**Large selection of probes** from hypodermic needle to ¼" dia. x 6 ft. long probes for permanent installation or hand-held use.

**Long-life rotary selector** for displaying up to 6 thermocouple inputs. Polymer selector shaft is bushing sealed.



**ENGINEERED AND MANUFACTURED IN WI, U.S.A.**

### SPECIFICATIONS:

#### Display Range:

-199° to 1999°F or C. Usable range varies with TC type & probe construction (see ordering section).

#### Measuring Accuracy:

± ½% of reading ±1 degree using ANSI millivolt-temperature standards.

#### Instrument Environmental Range:

-5° to 120° F (-21° to 49° C). May be located in shaded outdoors.

#### Cold Junction Offset:

One degree max. for an ambient range of 32° to 110° F (0° to 43° C).

#### Display Indication:

Updated twice per second on 0.5" (13mm) high LCD.

#### Construction:

Molded polycarbonate 5"x5"x3" box with a NEMA-4X rating and hidden bosses for wall mounting. External fasteners are reinforced plastic.

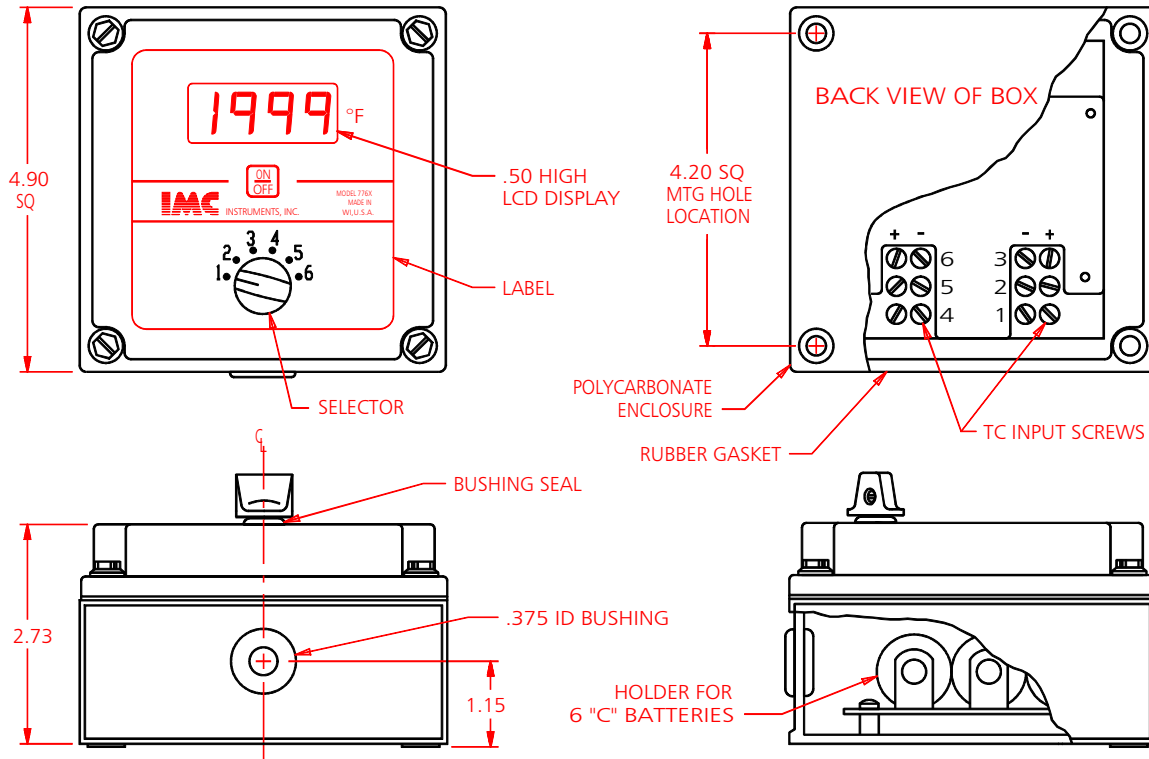
#### Power Requirement:

Six "C" alkaline batteries for 13,000 hours (1½yrs) of display "ON" time.

#### Weight:

Appx. 0.8 lbs (0.4 kg.) without probe & batteries.

**MECHANICAL DETAIL:** Model 9120-0776X shown.



ALL DIMENSIONS ARE INCHES\*

**ORDERING INFORMATION:**

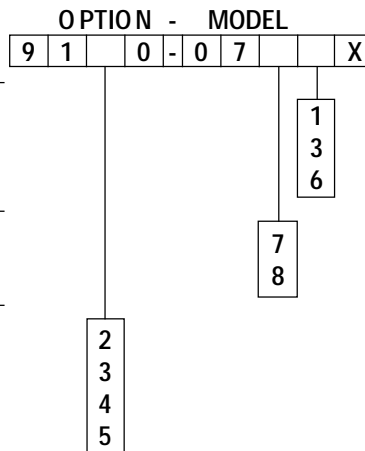
Refer to sheet titled "PERMANENT INSTALLATION TC PROBES" for the selection of wire and probes to complete any measuring system. All prices listed below are F.O.B. factory or distributor warehouse. Contact distributor listed below for assistance. Products are warranted against material or workmanship defects for a full year from date of shipment.

**NUMBER OF THERMOCOUPLE INPUTS:** \_\_\_\_\_  
 Single Input  
 3 pts. - rotary selector  
 6 pts. - rotary selector

**SCALE:** \_\_\_\_\_  
 Fahrenheit reading  
 Celsius reading

**THERMOCOUPLE CALIBRATION:** \_\_\_\_\_  
 K -60 to 2000 °F (-50 to 1100 °C)  
 T -60 to 400 °F (-50 to 205 °C)  
 J -60 to 1400 °F (-50 to 750 °C)  
 E -60 to 1650 °F (-50 to 900 °C)

**INSTALLED ACCESSORIES:** \_\_\_\_\_  
 7/8" Plain hole instead of Bushing  
 Sealed Fitting for cable 1/4"-7/16" Dia.  
 Alkaline Batteries required (6 X "C" set)



0 0 0 1 - 0 8 7 5  
 7 2 2 5 - 3 2 3 1  
 7 0 4 2 - 0 0 9 3

\* Specifications are subject to change without notice

DS0776X - 01/97



**DISTRIBUTED BY:**

N60W14434 Kaul Avenue, Menomonee Falls, WI 53051  
 Tel: (262) 252-4620 Fax: 262-252-4623 www.imcinstruments.com