

Type-78

High Flow
Precision
Air Regulator



Bellofram
Newell, WV 26050 U.S.A.
Type 78
PART NO. 960-336-000
OUTPUT RANGE 0-125
MAX. INLET PRESSURE: 400 PSI
PRESSURE REGULATOR

Precision
Control
Devices

The Type 78 regulator is specifically designed for applications that require large flow capability and accurate pressure control.



FEATURES

- Bellofram Rolling Diaphragm Provides Low-Friction, Long Life Service
- Available in 3/8", 1/2", 3/4", and 1" NPT and BSPT
- Output Gauge Ports are 1/4" NPT
- Options: Low-bleed, Non-relieving, Tamper-proof Cover, Square-head adjustment, T-handle Adjustment, Epoxy Paint, Supply Gauge Port, and Tapped Exhaust
- Mounting Brackets, Gauge Kits, and Repair Kits Available
- Output Ranges are 0-30, 0-60, 0-125 psig / 0-2.1, 0-4.1, 0-8.6 BAR
- Maximum Supply Pressure is Rated at 400 psig / 27.6 BAR
- Flow rates of well over 200 SCFM

DESCRIPTION

The Type 78 regulator is specifically designed for applications that require large flow capability and accurate pressure control. This regulator offers low droop, high accuracy, and fine adjustment sensitivity. The use of a Bellofram rolling diaphragm provides greater sensitivity and improved accuracy. The Type 78 offers a balanced pintle, which minimizes output pressure changes caused by fluctuations in supply pressure. Careful design and quality materials throughout assure long, trouble-free operation. The rugged die-cast zinc and aluminum housings are pressure tested to assure safe operation, and are designed to withstand harsh and abusive environments. This durability is attributed to a chemical conversion coating of all cast components and a vinyl paint finish. With a maximum supply pressure of up to 400 psig/22.7 BAR and output ranges up to 125 psig/8.6 BAR, the Type 78 can achieve flow rates of well over 200 SCFM. It can be panel or pipe mounted.

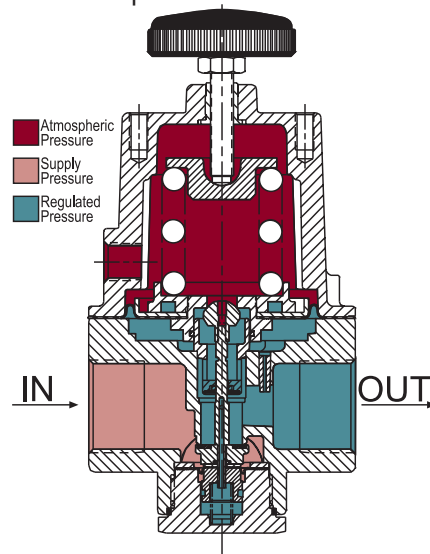
OPERATION

Marsh Bellofram's Type 78 is a direct acting, diaphragm-operated regulator. Once set to a desired output pressure, the Marsh Bellofram precision regulator maintains the setting permanently. The range spring, which has been compressed by the adjustment knob, causes the pintle to move downward, opening the supply valve and allowing air flow. The pressure builds up against the control diaphragm until the supply valve closes. This is the equilibrium or set pressure, which is closely maintained under changes in operating conditions in the following manner:

Downstream pressure drop - A drop in downstream pressure reduces the diaphragm pressure force, upsetting the equilibrium condition. This unbalance causes the supply valve to open until the pressure builds up once more to the equilibrium condition.

Downstream pressure increase - An increase in downstream pressure acts on the diaphragm, causing the relief seat in the diaphragm assembly to lift and open. The excess pressure is exhausted through the vent port until the output pressure is restored to the set point. The relief valve then closes.

Changes in forward flow - Under forward flow conditions, the range spring force is balanced by the diaphragm pressure force, with the supply valve open just enough to maintain the required forward flow. When high flow occurs, a specially designed aspirator helps maintain downstream pressure and compensates for droop.





SPECIFICATIONS

- Flow Capacity: See performance Curves
- Exhaust Capacity: 14 SCFM at 5 psi / 0.3 BAR above 20 psig / 1.4 BAR set point (0-30 psig / 0-2.1 BAR range unit)
- Sensitivity: Less than 1" water column
- Air Consumption: less than 12 scfh at 125 psig / 8.6 BAR output pressure
- Mounting: pipe or panel
- Effect of supply pressure on regulated pressure: less than ± 0.35 psig / 0.02 BAR for a supply variation of 100 psig / 6.9 BAR
- Supply Pressure Max: 400 psig / 27.9 BAR
- Weight: Approx. 5 lbs.
- Materials:
 - Body - Die cast zinc
 - Bonnet - Die cast aluminum alloy.
 - Knob - Phenolic plastic, plated steel
 - Diaphragms - Nitrile elastomers with Dacron fabric
- Other internal materials: Brass, stainless steel, and zinc

OPTIONS

LOW BLEED: Reduces steady-state air consumption by approximately 50%.

NON-RELIEVING: Used in applications where it is desirable to relieve pressure downstream of the regulator, for some constant flow applications and where the gas flowing through the regulator must not escape at the regulator. Non-relieving regulators should not be used for low or no flow applications.

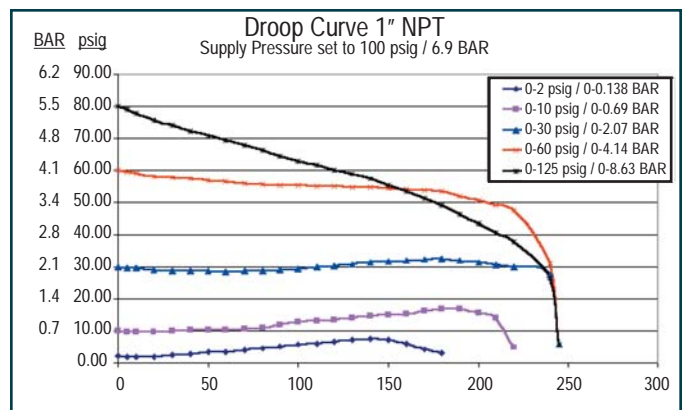
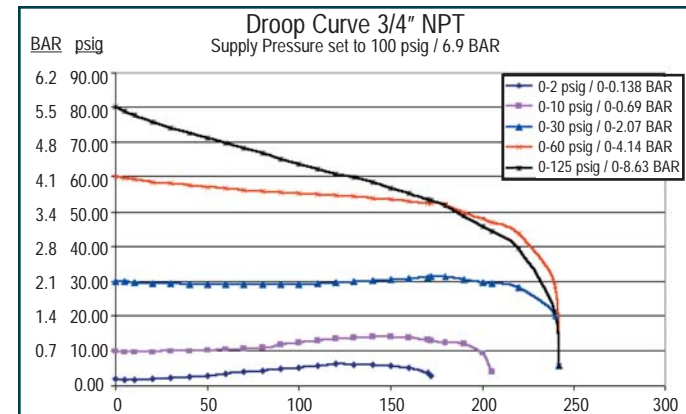
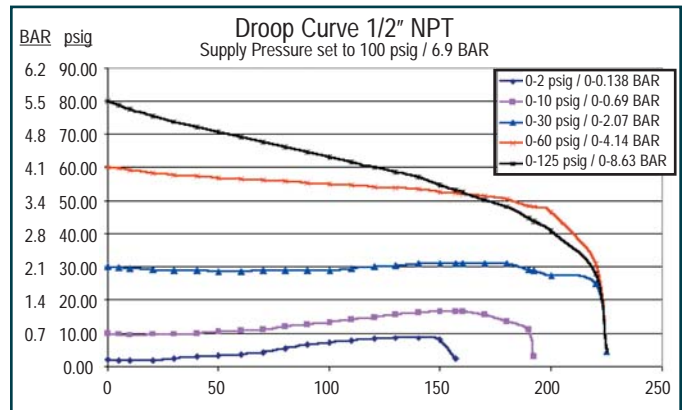
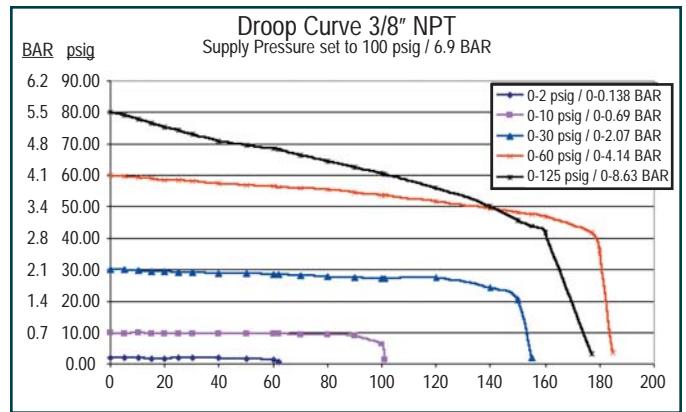
HANDLE OPTIONS: "T" handle or square head.

EPOXY PAINT: A gray epoxy finish applied to the body of the regulator will provide greater resistance to corrosive environments.

TAPPED VENT (exhaust): 1/4" NPT tapped port to allow for installation of plumbing to capture exhaust air.

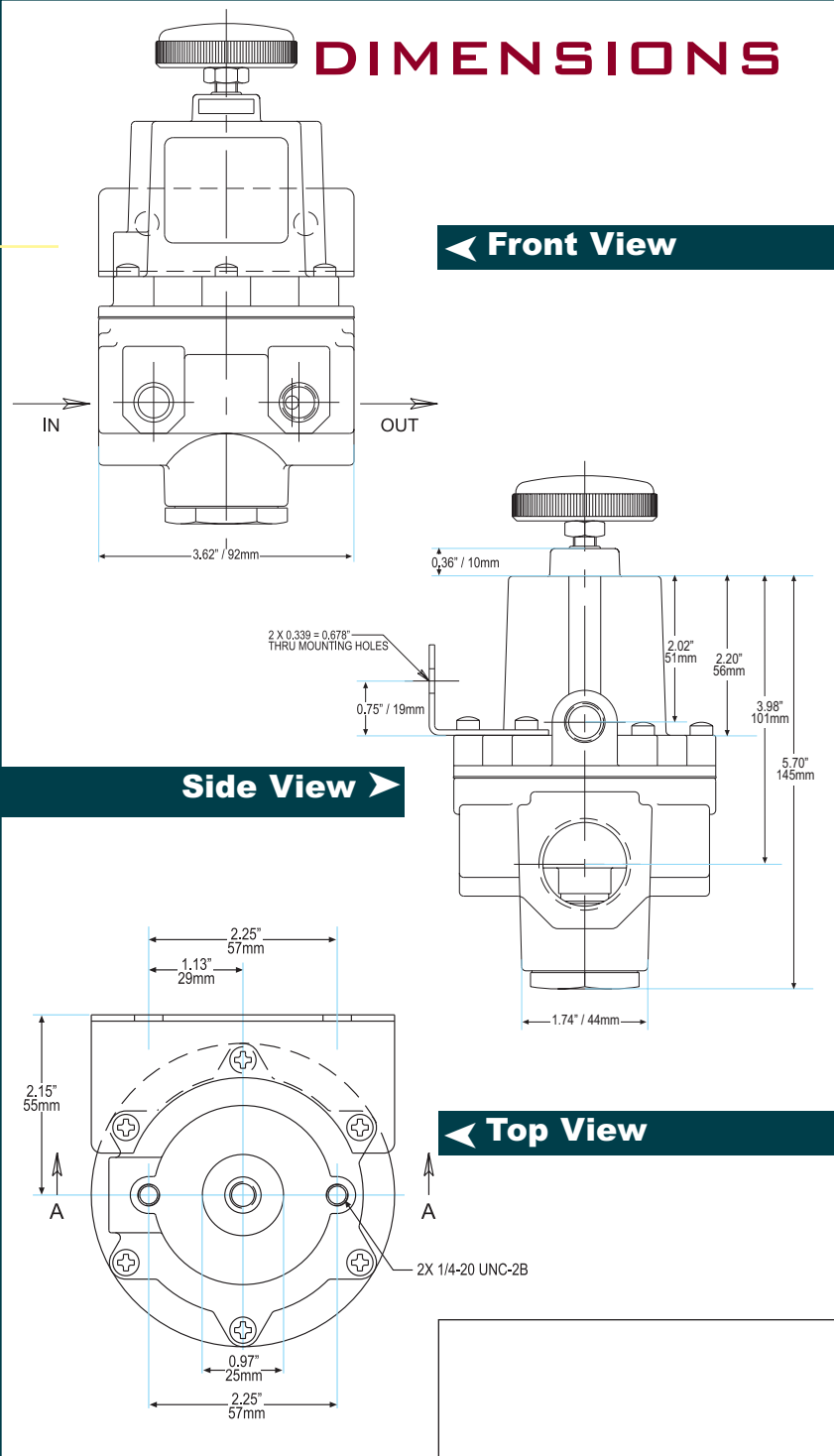
TAPPED SUPPLY GAUGE PORT: 1/4" NPT tapped port is offered as a pressure tap for monitoring the inlet or upstream pressure supplied to the regulator.

TAMPERPROOF COVER: An aluminum tubular cover placed over a slotted head adjusting screw and screwed on the bonnet of the regulator with a wrench, prevents ordinary hand adjustments.



TYPICAL PERFORMANCE CURVES

DIMENSIONS



sales@bcgroupintl.com

LT0995 5m 3/01



ORDERING INFORMATION

Part Number	Port Size (NPT)	Range*	
		(psig)	(BAR)
960-326-000	3/8"	0-30	0-2.1
960-327-000	1/2"	0-30	0-2.1
960-328-000	3/4"	0-30	0-2.1
960-329-000	1"	0-30	0-2.1
960-330-000	3/8"	0-60	0-4.1
960-331-000	1/2"	0-60	0-4.1
960-332-000	3/4"	0-60	0-4.1
960-333-000	1"	0-60	0-4.1
960-334-000	3/8"	0-125	0-8.6
960-335-000	1/2"	0-125	0-8.6
960-336-000	3/4"	0-125	0-8.6
960-337-000	1"	0-125	0-8.6
960-346-000	3/8"	0-2	0-0.1
960-347-000	1/2"	0-2	0-0.1
960-348-000	3/4"	0-2	0-0.1
960-349-000	1"	0-2	0-0.1
960-350-000	3/8"	0-10	0-0.7
960-351-000	1/2"	0-10	0-0.7
960-352-000	3/4"	0-10	0-0.7
960-353-000	1"	0-10	0-0.7

BSPT: British Standard Pipe Threads can be ordered by adding "BSPT" to the end of the part number.

*Although the regulator can be shut off, the recommended operating ranges are between 10% and 100% of the adjustment range.

Option	1	2	3	4	5	6	7	8
1 Low Bleed	001		031	041	051	061	071	081
2 Non-Relieving	002	032	042	052	062	072	082	
3 Square Head			003		053	063	073	
4 "T" Handle				004	054	064	074	
5 Epoxy Paint					005	065	075	085
6 Tapped Vent						006	076	086
7 Tapped Supply Port							007	087
8 Tamperproof								008

ACCESSORIES

GAUGES: 1ft" gauge kits are recommended for supply and output.

MOUNTING BRACKETS: Zinc plated steel bracket to allow for side or panel mounting. Part #607-293-000

REPAIR KIT: Includes control diaphragm and pintle assembly. Part #971-157-000

IMPORTANT NOTICE: Our recommendations, if any, for the use of this product are based on tests believed to be reliable. The greatest care is exercised in the selection of our raw materials and in our manufacturing, no guarantee or warranty, express or implied, is made as to such use or effects incidental to such use, handling or possession or the results to be obtained, whether in accordance with the directions or claimed so to be. The manufacturer expressly disclaims responsibility therefor. Furthermore, nothing contained herein shall be construed as a recommendation to use any product in conflict with existing laws and/or patents covering any material use.

SALES & APPLICATIONS
 (800)242-8428 fax:(314) 638-3200
www.bcgroupintl.com