

# FILTERS REGULATORS LUBRICATORS



- **Modular Design for service & interchangeability**
- **Featuring *BELLOFRAM* rolling diaphragms**
- **Miniature (M1) & Standard (M2) Sizes**
- **Competitively Priced!**

ISO 9002  
certified

**MB** **MARSH BELLOFRAM**<sup>®</sup>  
The standard in Components, Instrumentation & Controls

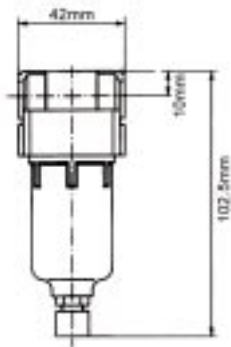
## FILTERS

NOTE: Flow based on 100 psi in 70 psi out with 50 micron filters where applicable. Specifications subject to change without notice.

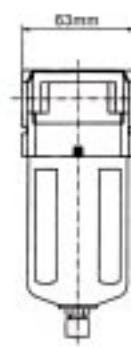
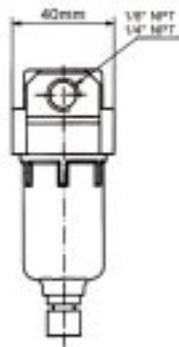


Series Technical Data		M1	M2
Port Size	NPT	1/8", 1/4"	1/4", 3/8", 1/2"
Filtration	(micron)	5μ/50μ	5μ/50μ
Maximum Pressure	MPa	1.0	1.0
	Bar	10.0	10.0
	PSI	145	145
Temperature Range	°C	-10° - 60°	-10° - 60°
	°F	14° - 140°	14° - 140°
Drain		Manual/Semi-Automatic	Manual/Semi-Automatic
Bowl Capacity	inch <sup>3</sup>	0.75	2.75
Flow	SCFM	55, 85	120, 120, 120

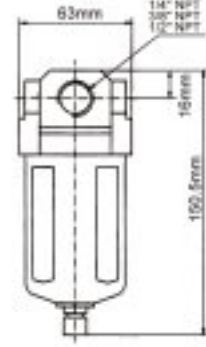
NOTE: A "semi-automatic" drain opens when air is shut off. This is not a float-operated auto-system.



**M1**



**M2**

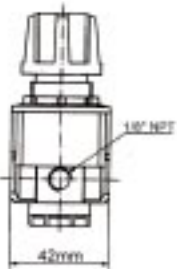


## REGULATORS

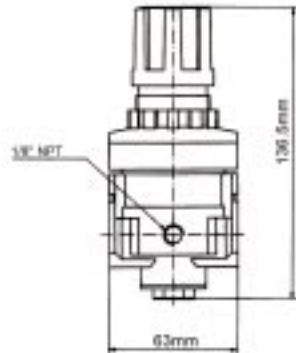
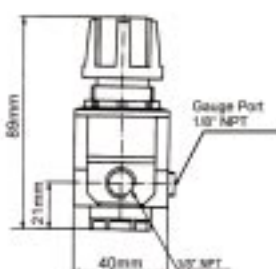
NOTE: Flow based on 100 psi in 70 psi out with 50 micron filters where applicable. Specifications subject to change without notice.



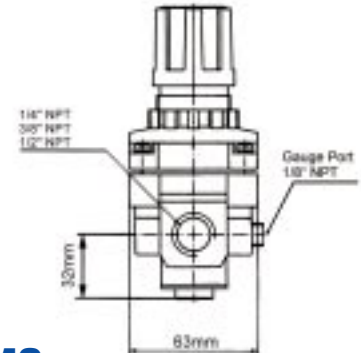
Series Technical Data		M1	M2
Port Size	NPT	1/8", 1/4"	1/4", 3/8", 1/2"
Regulator Output Range	PSI	0-30, 0-60, 0-120	0-30, 0-60, 0-120
Maximum Supply Pressure	MPa	1.0	1.0
	Bar	10.0	10.0
	PSI	145	145
Temperature Range	°C	-10° - 60°	-10° - 60°
	°F	14° - 140°	14° - 140°
Gauge Port	NPT	1/8"	1/8"
Flow	SCFM	40, 60	90, 120, 120



**M1**



**M2**



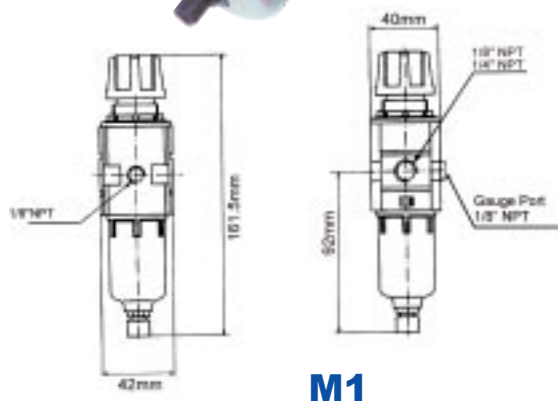
## FILTER-REGULATORS

NOTE: Flow based on 100 psi in 70 psi out with 50 micron filters where applicable. Specifications subject to change without notice.

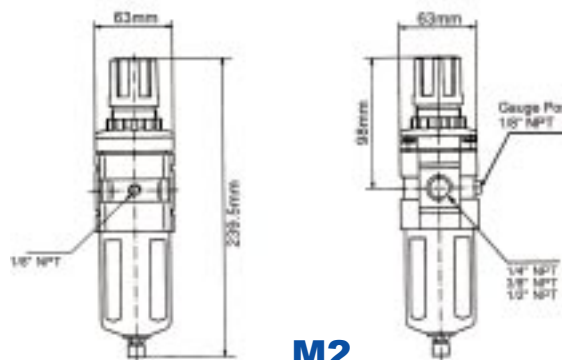


Series Technical Data		M1	M2
Port Size	NPT	1/8", 1/4"	1/4", 3/8", 1/2"
Filtration	(micron)	5μ/50μ	5μ/50μ
Maximum Supply Pressure	MPa	1.0	1.0
	Bar	10.0	10.0
	PSI	145	145
Temperature Range	°C	-10° - 60°	-10° - 60°
	°F	14° - 140°	14° - 140°
Drain		Manual/Semi-Automatic	Manual/Semi-Automatic
Bowl Capacity	inch <sup>3</sup>	0.75	2.75
Regulator Output Range	PSI	0-30, 0-60, 0-120	0-30, 0-60, 0-120
Flow	SCFM	40, 60	90, 120, 120

NOTE: A "semi-automatic" drain opens when air is shut off. This is not a float-operated auto-system.



**M1**



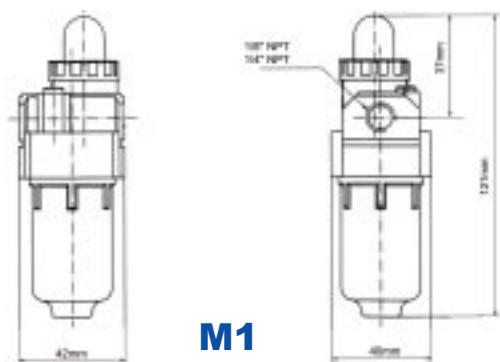
**M2**

## LUBRICATORS

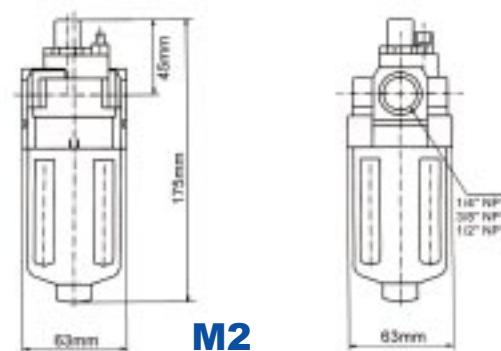
NOTE: Flow based on 100 psi in 70 psi out with 50 micron filters where applicable. Specifications subject to change without notice.



Series Technical Data		M1	M2
Port Size	NPT	1/8", 1/4"	1/4", 3/8", 1/2"
Lubrication		Mist	Mist
Maximum Supply Pressure	MPa	1.0	1.0
	Bar	10.0	10.0
	PSI	145	145
Temperature Range	°C	-10° - 60°	-10° - 60°
	°F	14° - 140°	14° - 140°
Bowl Capacity	inch <sup>3</sup>	1.22	5.18
Flow	SCFM	55, 115	125, 125, 125

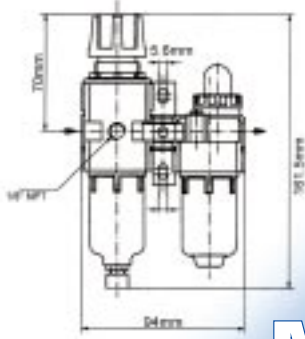


**M1**

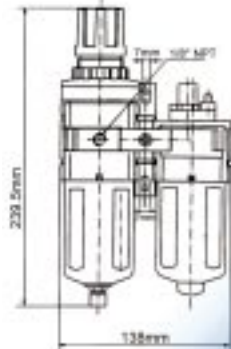
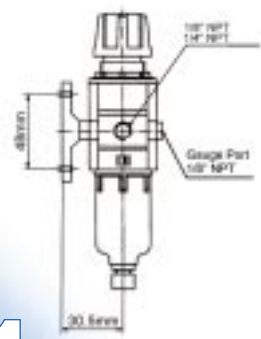


**M2**

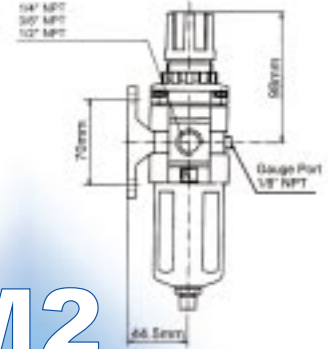
## FILTER - REGULATOR + LUBRICATORS



# M1

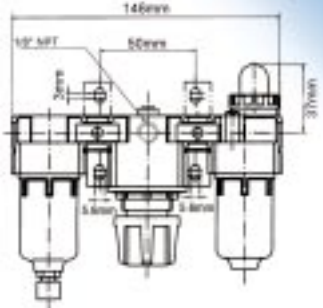


# M2

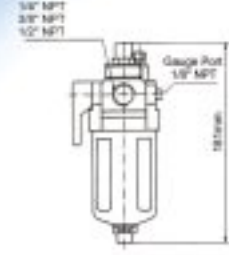
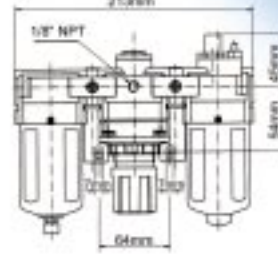
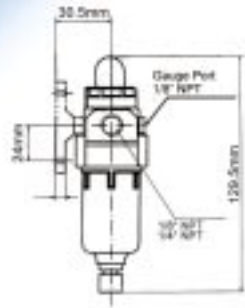


## FILTER - REGULATOR - LUBRICATORS

# M1



# M2



## ORDERING MATRIX

XX	XXX	XX	X	X	X	Description	
M1						Miniature Series	FOR REPLACEMENT PARTS & OPTIONS CONSULT YOUR LOCAL MARSH BELLOFRAM DISTRIBUTOR
M2						Standard Series	
	F					Filter	
	R					Regulator	
	L					Lubricator	
	FR					Filter Regulator	
	FRP					Filter Regulator PLUS Lubricator	
	FRL					Filter, Regulator, Lubricator	
		1N				1/8" NPT	OMIT FOR FILTER & LUBRICATORS
		2N				1/4" NPT	
		3N				3/8" NPT	
		4N				1/2" NPT	
			M			0-30 psi - Optional	OMIT FOR FILTER & LUBRICATORS
			E			0-60 psi - Optional	
			H			0-120 psi - Standard Installed	
				C		50 Micron Filter - Standard	OMIT FOR REGULATORS & LUBRICATORS
				F		5 Micron Filter	
					M	Manual Drain	OMIT FOR REGULATORS & LUBRICATORS
					S	Semi-Automatic Drain	



**SUGGESTED  
PRESSURE  
GAUGE  
OPTIONS**



- 1½" 0-60 psi "J" Series Gauge #J0646
- 1½" 0-160 psi "J" Series Gauge #J0652
- 1½" 0-300 psi "J" Series Gauge #J0658
- 2" 0-60 psi "J" Series Gauge #J1846
- 2" 0-160 psi "J" Series Gaugs #J1852
- 2" 0-300 psi "J" Series Gauge #J1858