

Type 3210 & 3220

bcgroupintl.com

Product Information
Model 3210 & 3220
Electronic Controller



Features

- Internal sensor provides closed loop accuracy to $\pm 0.5\%$ F.S.
- Reliable twin solenoid valve system
- Conserves air - no constant bleed
- Current/voltage command signals
- Not sensitive to mounting orientation
- Weatherproof housing
- Mounts conveniently on top of booster relay for higher flows
- CE approved

Applications

- Semiconductor
- Machine Automation
- Molding & Forming Operations
- Robotics Controller
- Tire Manufacturing & Testing



Operational Description

- This compact electronic regulator (servo pressure controller), incorporates two solenoid valves and an internal pressure sensor.
- With current or voltage signal inputs, the Model 3210 controls an output pressure with an accuracy of $\pm .5\%$ or better full scale.
- Wide range of output pressures, from 29" Hg vacuum to 600 psig (in different models.)
- Mounted on a booster, it can achieve flow rates in excess of 2,000 SCFM.
- With a flow of 1.25 SCFM at 100 psi, the 3210 can be used alone for many applications.
- Optional output monitor signals are available.
- The double loop (3220) option permits 0-10 VDC feedback from a remote sensor.

ElectroPneumatics

MB MARSH BELLOFRAM®
bcgroupintl.com

SPECIFICATIONS

PNEUMATICS

Output Pressure Ranges	Vacuum to 600 psig (41 BAR)
Flow	1.25 scfm (35.3 slpm)
Supply Pressure	110% of max output pressure
Filtration	40 micron (built in)
Linearity (independent)	± .2% FS
Repeatability	± .2% FS
Accuracy	± .5% FS
Hysteresis	± .5% FS

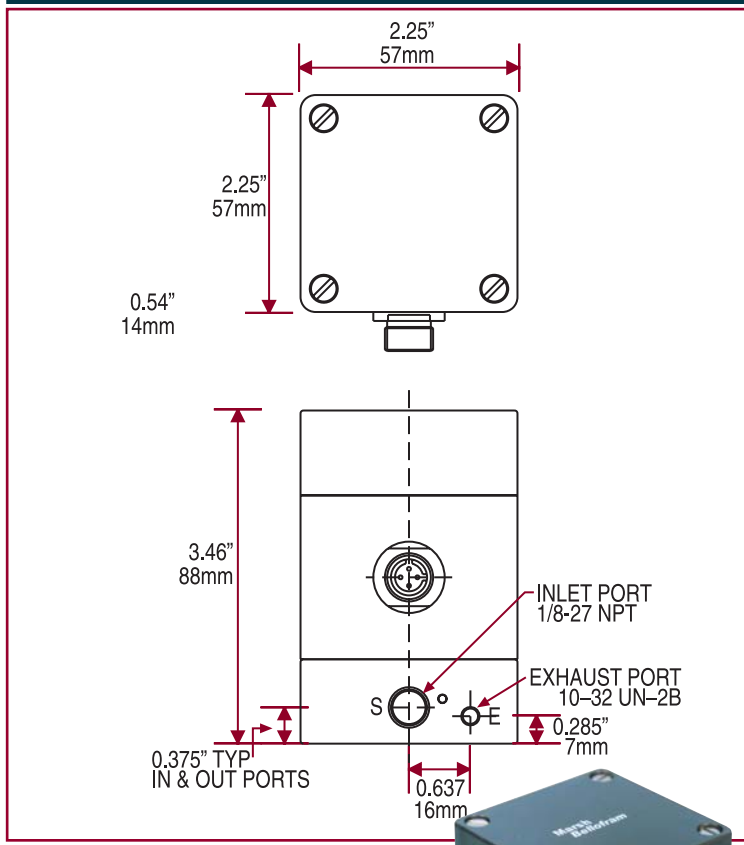
ELECTRICAL

Supply Voltage	15-24 VDC
Supply Current	80 mA standby - 325 mA max
Command Signal	
Voltage	0-10 VDC
Current	4-20 mA
Analog Monitor Output	
Voltage	0-10 VDC
Logic Monitor Output	
CMOS (M)	0 VDC low, 12 VDC high
TTL (T)	0 VDC low, 5 VDC high
Open Collector (O)	0 VDC low, (pull up) high

ENVIRONMENTAL

Operating Temp	32 to 141°F (0 to 60°C)
Materials	
Wetted Parts	Brass, nickel, buna-N, 316 SS
Output Port Sizes	1/8" NPT, BSPP, or BSPT (side) 1/4" NPT, bottom port only
Exhaust Port	No. 10-32 UNC Thread
Weight	1.2 lbs. (0.55 kg)

Product Information Model 3210 & 3220 Electronic Controller



For more information please contact the Applications Department at 1-800-242-8428

HOW TO CREATE A 3210 & 3220 PART#

BASE MODEL NUMBER	MONITOR SIGNAL	COMMAND SIGNAL	OUTPUT PRESSURE RANGE			MOUNTING	PORT SIZE	CONNECTOR	OPTIONS
2	0					P		1	
1 Single loop	M 0-10 V Analog & CMOS Logic Output	E 0-10 VDC	Please indicate the lower limit of output pressure range down to 0 psi absolute ∞			P Pipe	0 1/8" NPT	1 6 Pin Micro	00 No Options
2 Double loop	T 0-10V Analog TTL Logic Outputs	I 4-20 mA	G Gauge (psig)	A Absolute (psia)	V Vacuum ("Hg)		1 1/8" BSPT		Consult Factory For Options
	O 0-10 V Analog & Open-Collector Logic Outputs		W Water Column ("H ₂ O)				2 1/8" BSPP		

POWER CORDS must be ordered separately

∞ If lower limit of output pressure range is more than 1 digit, consult factory.

ORDERING EXAMPLE: 210M1G027P0100 - This is a Type 3210 single loop unit with 0-10 VDC command signal, 0-10 V monitor output with CMOS logic output, calibrated 1 to 27 psig with 1/8" NPT ports and no options. (Pipe mount and 6 pin connector are standard.)